

38667-MI

Impulse Counter, 12-24VAC/DC

6 Digit, Red LED Impulse Counter with manual front panel Reset

P/N: JDM11-6H

Supply Voltage: 12-24V AC//DC

Power: <3VA Max

Display: 0.38-inch Height Red LED

Input Signal: Normally Open Contact, NPN 3 wire Sensor

Maximum Counting Speed: 10cps

Sensor Power Output: +12VDC (Vcc)

Power Off Memory: ~10 Years

Counting Error: <1

Reset Time: <0.5S

Power On Settling Time: <1s

Dielectric Strength: 2000VAC, 50/60Hz for 1min

Insulation Resistance: 100MΩ min. at 500 VDC

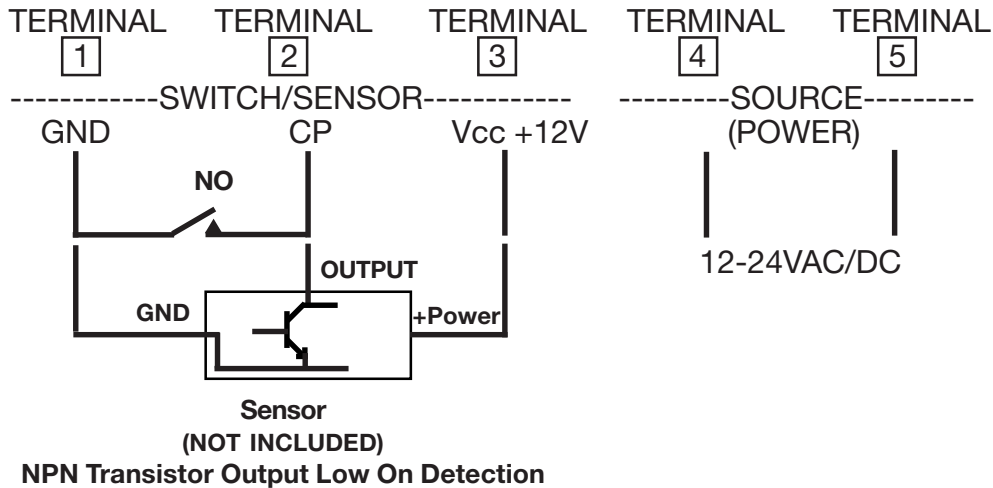
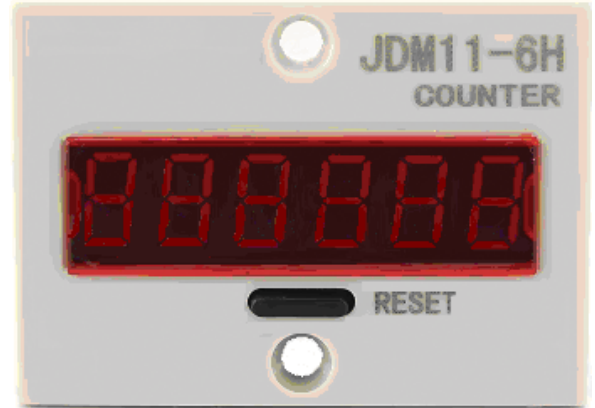
Working Temperature: -5 to 45 °C

Connections: Rear Terminal strip

Cutout: 50.5 x 25.5mm

Panel Thickness: 5mm Min/7mm Max

W: 56mm (~2-1/4") **H:** 40mm (~1-9/16") **D:** 82mm (~3-1/8") **WT:** .16



Information including Drawings, Schematics, Links and Code (Software) Supplied or Referenced in this Document is supplied by MPJA inc. as a service to our customers and accuracy or usefulness is not guaranteed nor is it an Endorsement of any particular part, supplier or manufacturer. Use of information and suitability for any application is at users own discretion and user assumes all risk.

Information Subject to Change Without Notice

All rights are retained by the respective Owners/Author(s)



MARLIN P. JONES & ASSOC., INC.

8380 Resource Rd. West Palm Beach, Fl 33404

800-652-6733 FAX 561-844-8764

WWW.MPJA.COM